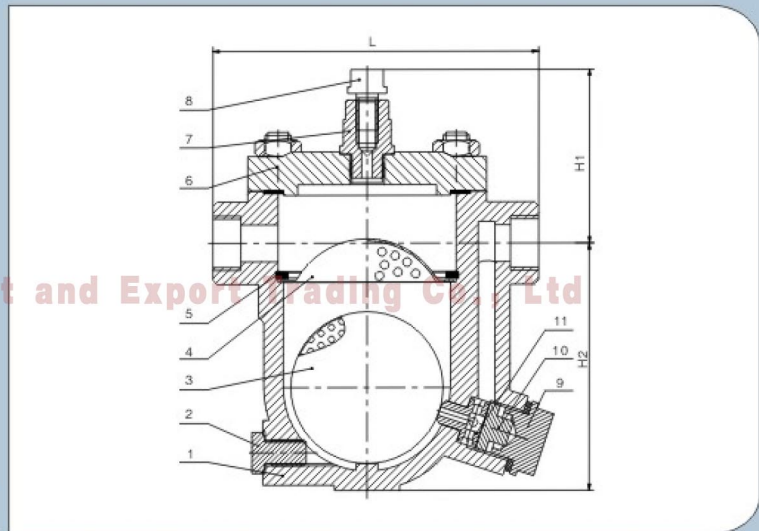




CS11H



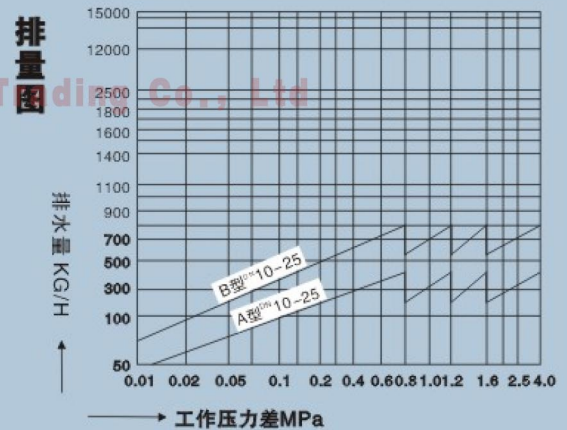
工作原理 Working principle

本产品根据浮力的原理，使阀体内的浮球随水位变化做升降运动，以达到阀门启闭，即排水阻汽的作用。

According to the principle of buoyancy, this product makes the ball in the valve body up and down with the change of water level, so as to open or close the valve, which works as draining the water and preventing the steam.

结构特点 Structure characteristics

- 1. 能连续排水、性能稳定、排水量大、漏气量少。
 - 2. 能连续饱和水，致使设备凝结水滞存量较少、升温快、加热温度稳定。
 - 3. 有自动排冷空气装置，无气锁现象，工作平衡无噪音。
1. It can drain water continuously and perform in a stable way with large capacity and less steam loss.
 2. It can saturate the water continuously, which makes less stock of condensation water in the equipment and is quick in heating and stable in heating temperature.
 3. It has automatic cold air vent device without air lock situation. It works in balanced way without noisy.



外形参数 Specification

| 产品型号 Product model | 口径Size(DN) | 连接方式 Connection Type | 最高允许温度℃ Max. allowable temp. °C | 阀体材质 Material of valve body | 尺寸dimension | | | | |
|---------------------------|------------|---------------------------------------|------------------------------------|--------------------------------|-------------|-----------------|------|-------|-----|
| | | | | | L | L加长 L+longer | H1 | H2 | W |
| 16C CS11H-25C-A 40C | 15-20 | 内螺纹ZG1/2"-3/4" Internal Thread | 350 | WCB | 120 | | 82 | 89 | 84 |
| | 25 | 内螺纹ZG1" Internal Thread | 350 | WCB | 120 | | 84 | 95 | 84 |
| 16C CS11H-25C-B 40C | 15-20 | 内螺纹ZG1/2"-3/4" Internal Thread | 350 | WCB | 150 | | 84 | 114 | 110 |
| | 25 | 内螺纹ZG1" Internal Thread | 350 | WCB | 150 | | 86.5 | 116.5 | 114 |
| | 32-40 | 内螺纹ZG1 1/4"-1 1/2" Internal Thread | 350 | WCB | 155 | | 98.5 | 104.5 | 114 |
| | 50 | 内螺纹ZG2" Internal Thread | 350 | WCB | 210 | | 98.5 | 104.5 | 114 |
| CS11H-64-B | 15-32 | 1 1/2"-1 1/4" | 350-450 | WCB、WC6 | 175 | | 90 | 120 | |